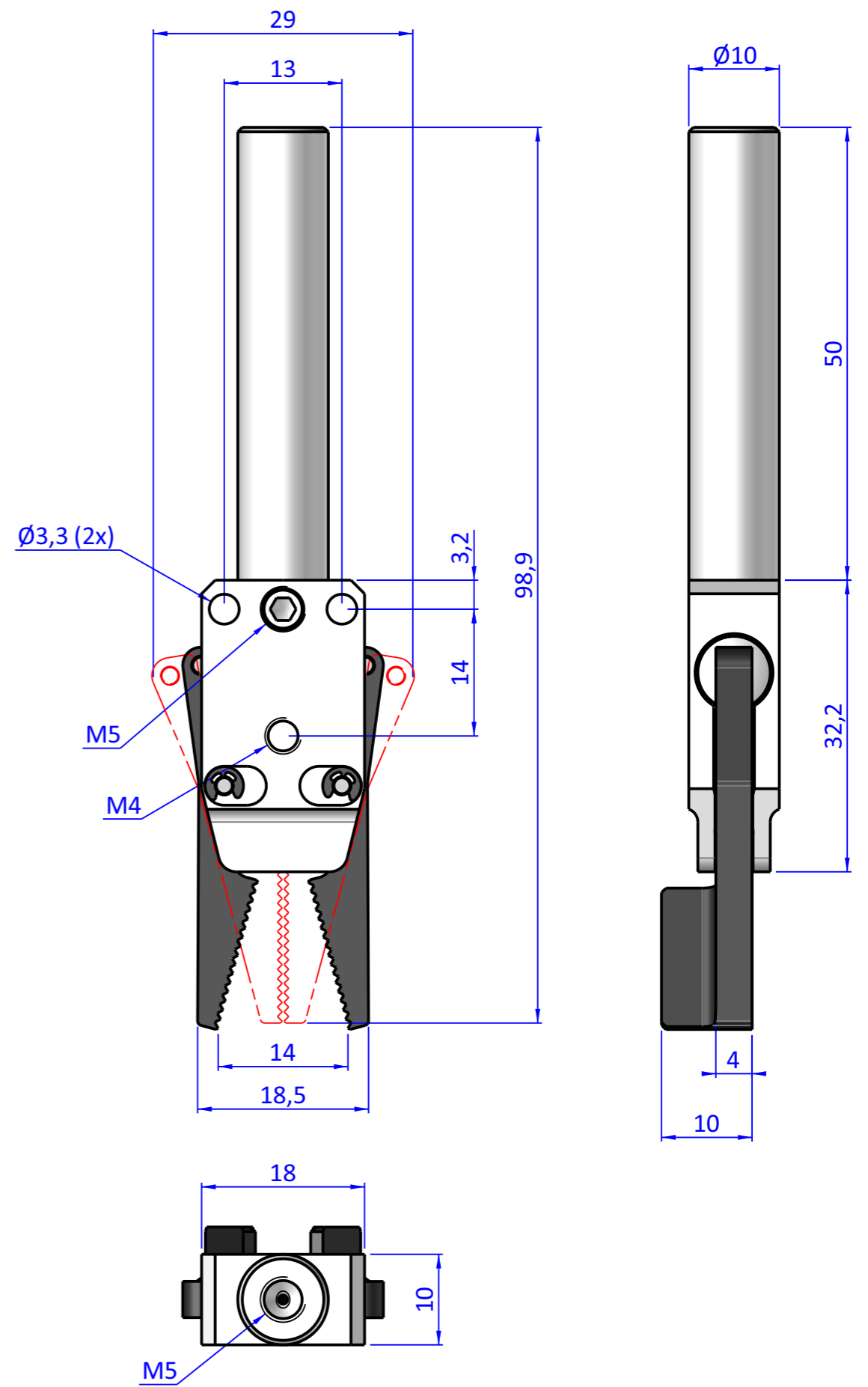
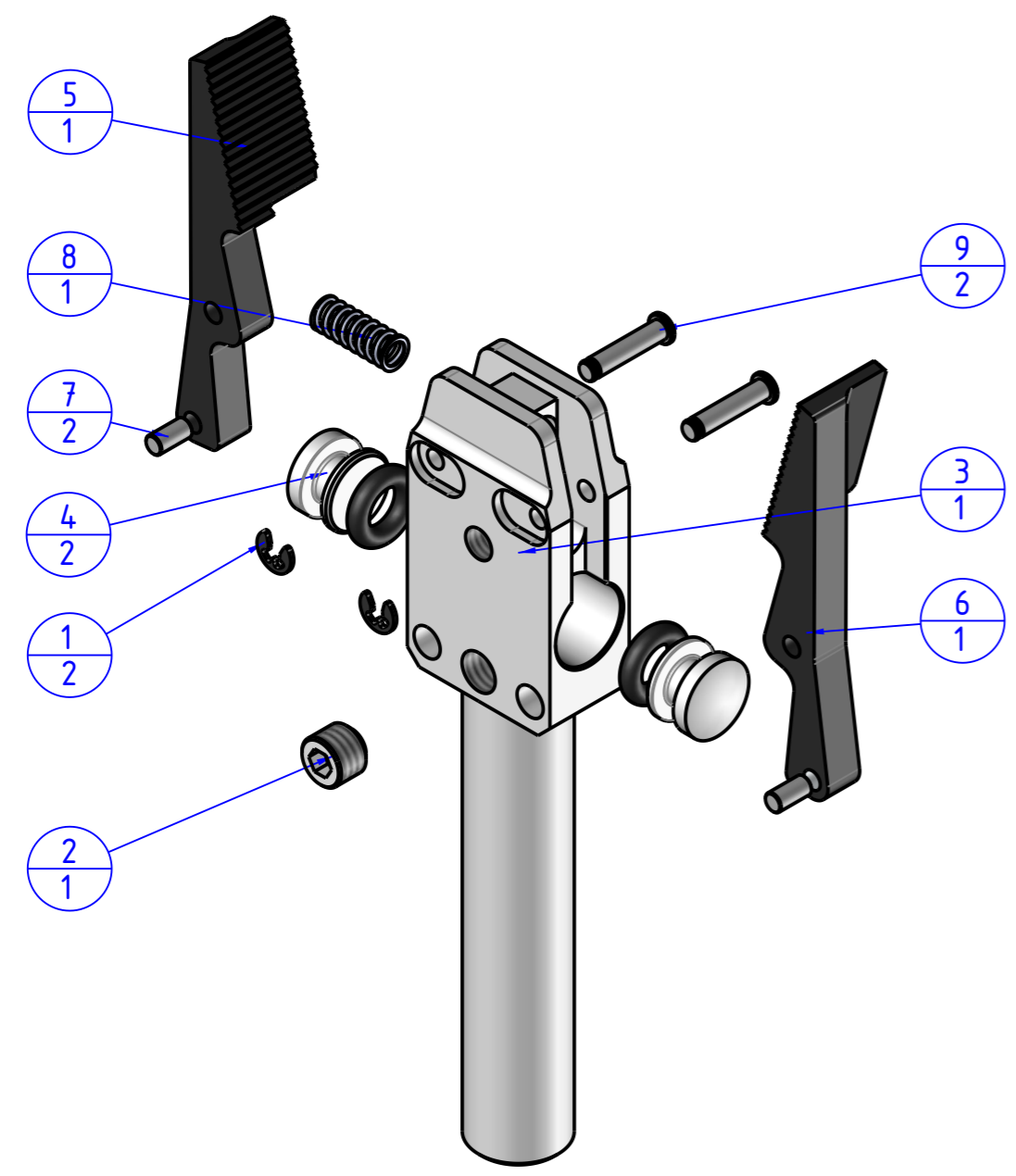



THE PROPERTY OF THE DRAWING IS ESTABLISHED BY LAW. IT IS FORBIDDEN TO PRODUCE OR SHOW IT TO THIRD PART. WITHOUT A WRITTEN AGREEMENT.

Item	Name	Q.ty
1	A.ELA.RA1.5	2
2	GR.5X4	1
3	GZA.10.08.1.50	1
4	GZA.10.08.2.OR	2
5	GZA.10.08.3.AHD	1
6	GZA.10.08.3.AHS	1
7	GZA.10.08.9	2
8	M.MP13X3.5D.5	1
9	SP.2x10SS	2



Format A3
UNI 936-76

 FPS SERVICES AUTOMATION		DESIGNED FROM		REVIEW
		FPS Automation		A
GENERAL TOLERANCE		DATE	WEIGHT	
UNI - ISO 2768		07/04/2026	0,027kg	
CLASSE f		CODE	CA.GZA.10.08.102	
DESCRIPTION		CA.GZA.10.08.M50		